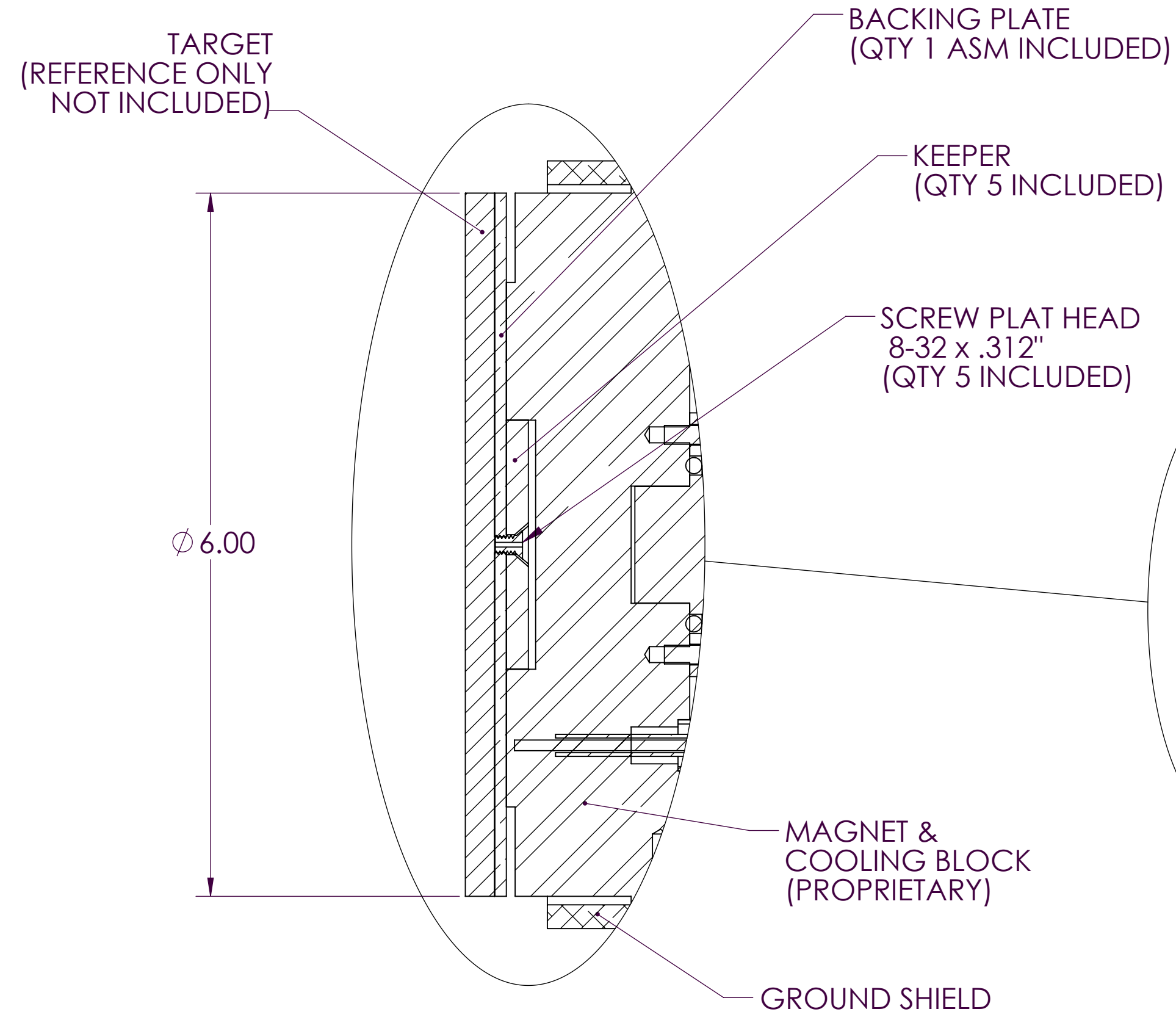
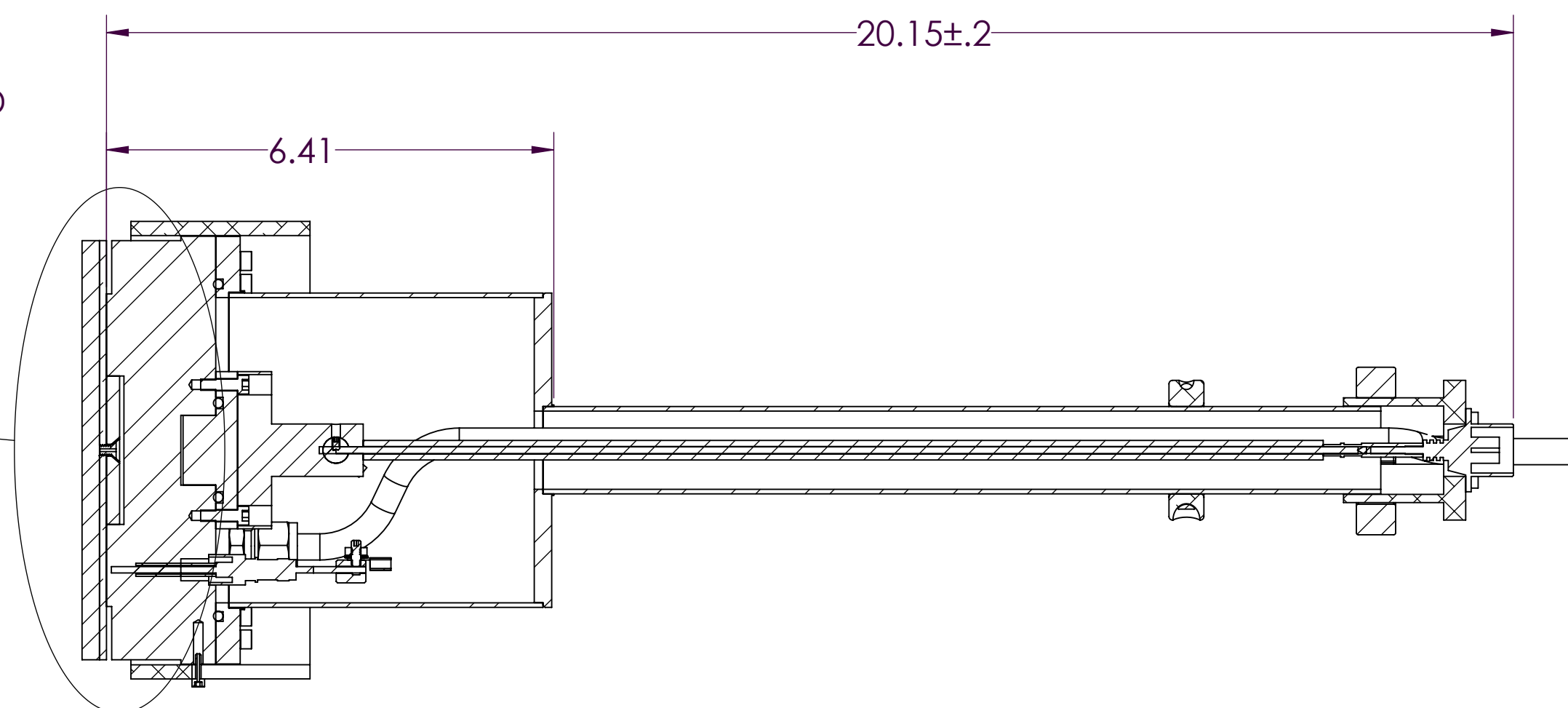


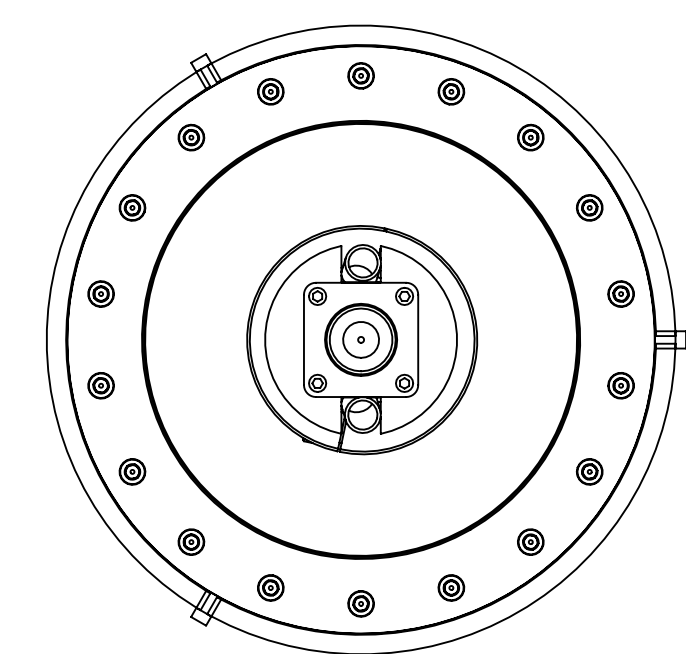
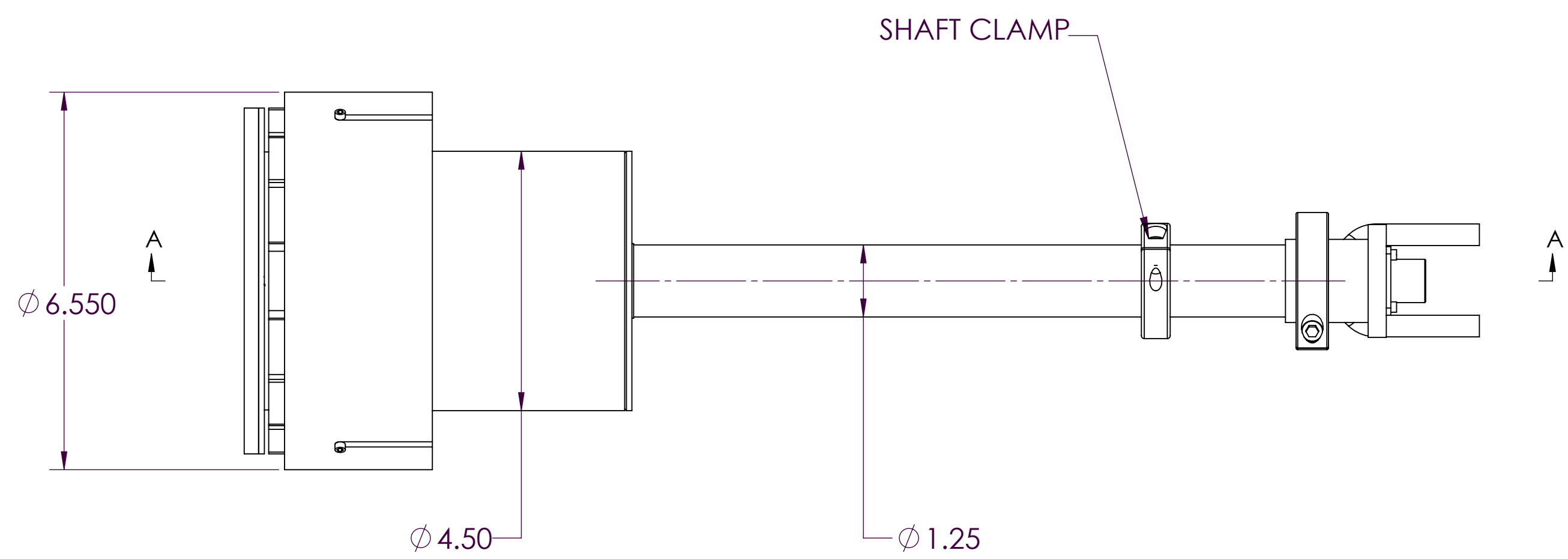
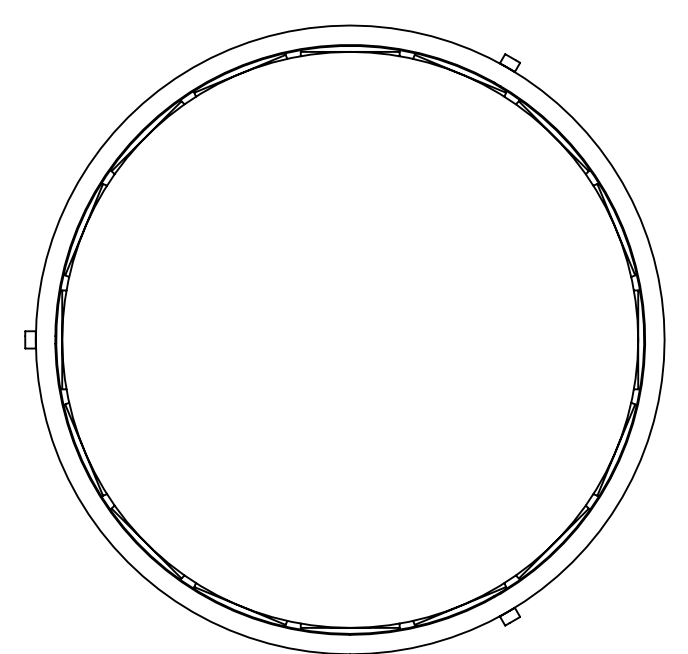
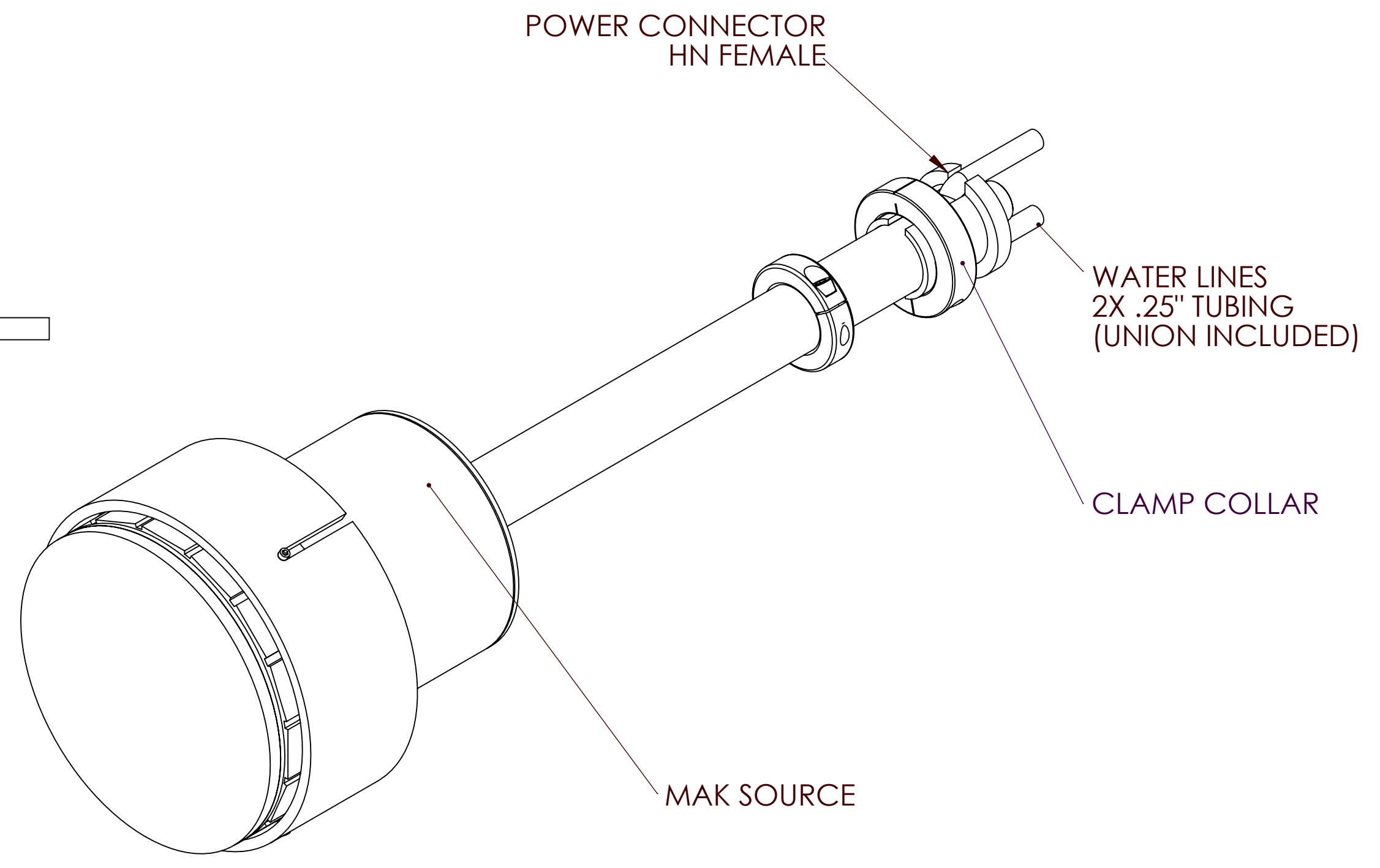
DWG NO. L600A01_EXT		SHT 1/1	REV E		
REVISIONS					
ZONE	REV.	DESCRIPTION	DATE	APPROVED	
	E	DRAWING RELEASE	03-20-14		



**DETAIL B
SCALE 1 : 1**



SECTION A-A



NOTES (UNLESS OTHERWISE SPECIFIED):
1. 3D MODEL AVAILABLE.

UNLESS OTHERWISE SPECIFIED DIMENSIONS ARE IN INCHES TOLERANCES ARE: DECIMALS .X ± .1 .XX ± .01 .XXX ± .005 MATERIAL: SEE BOM FINISH: DO NOT SCALE DRAWING		ANGLES ± 1/2°	THIS DOCUMENT IS THE PROPERTY OF MEIVAC, INC. ITS USE IS AUTHORIZED ONLY FOR RESPONDING TO A REQUEST FOR QUOTATION OR FOR THE PERFORMANCE OF WORK FOR MEIVAC, INC. ALL QUESTIONS MUST BE REFERRED TO MEIVAC ENGINEERING DEPARTMENT.	APPROVALS DRAWN NWM CHECKED ISSUED	DATE 3-22-99		TITLE: 6" MAK SOURCE VERTICAL MOUNT L600		
		63				SIZE D	CAGE CODE	DWG. NO. L600A01_EXT	REV E
						SCALE: NONE			SHEET 1 OF 1