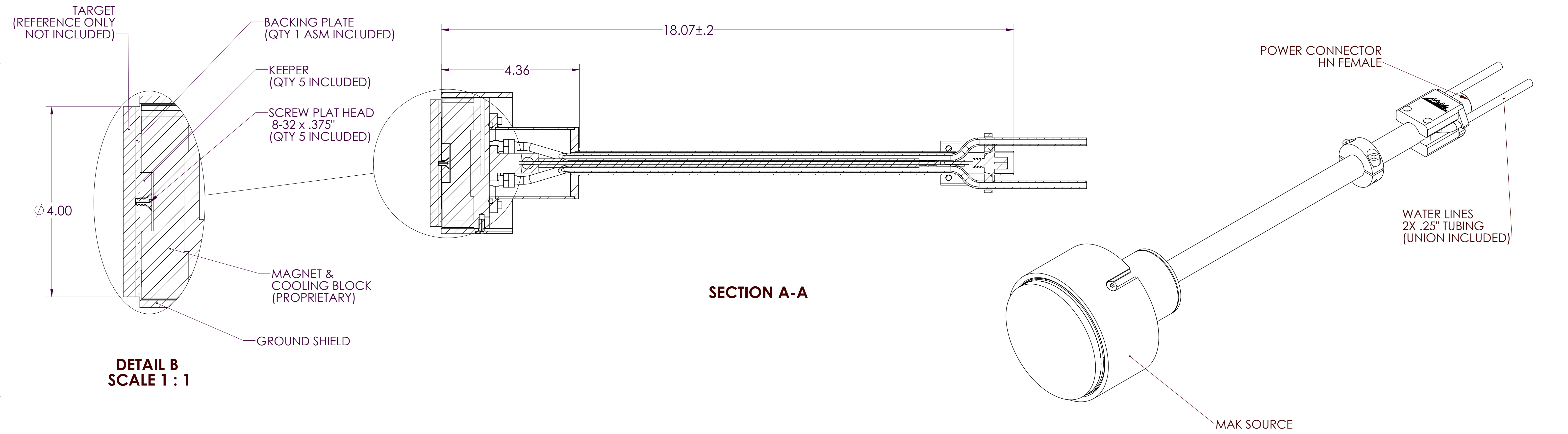
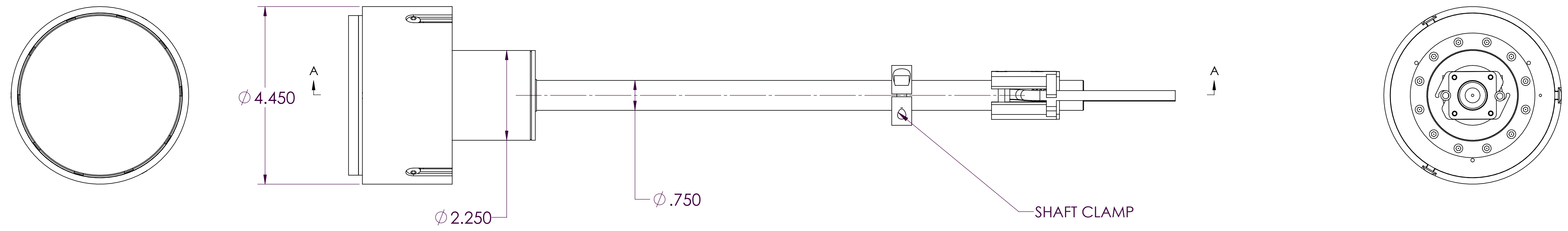



DWG NO. L400A01_EXT		SHT 1/1	REV B		
REVISIONS					
ZONE	REV.	DESCRIPTION	DATE	APPROVED	
	B	DRAWING RELEASE	03-16-14		



**DETAIL B
SCALE 1 : 1**



NOTES (UNLESS OTHERWISE SPECIFIED):
1. 3D MODEL AVAILABLE.

UNLESS OTHERWISE SPECIFIED DIMENSIONS ARE IN INCHES TOLERANCES ARE: DECIMALS .X ± .1 .XX ± .01 .XXX ± .005 MATERIAL: SEE BOM FINISH: DO NOT SCALE DRAWING		ANGLES ± 1/2°	THIS DOCUMENT IS THE PROPERTY OF MEIVAC, INC. ITS USE IS AUTHORIZED ONLY FOR RESPONDING TO A REQUEST FOR QUOTATION OR FOR THE PERFORMANCE OF WORK FOR MEIVAC, INC. ALL QUESTIONS MUST BE REFERRED TO MEIVAC ENGINEERING DEPARTMENT.		 4" MAK VERTICAL ASSEMBLY L400	
		APPROVALS	DATE	TITLE:		
		DRAWN TOM ERBES	05-26-10	SIZE D		
		CHECKED		CAGE CODE	DWG. NO. L400A01_EXT	
		ISSUED		REV B	SHEET 1 OF 1	