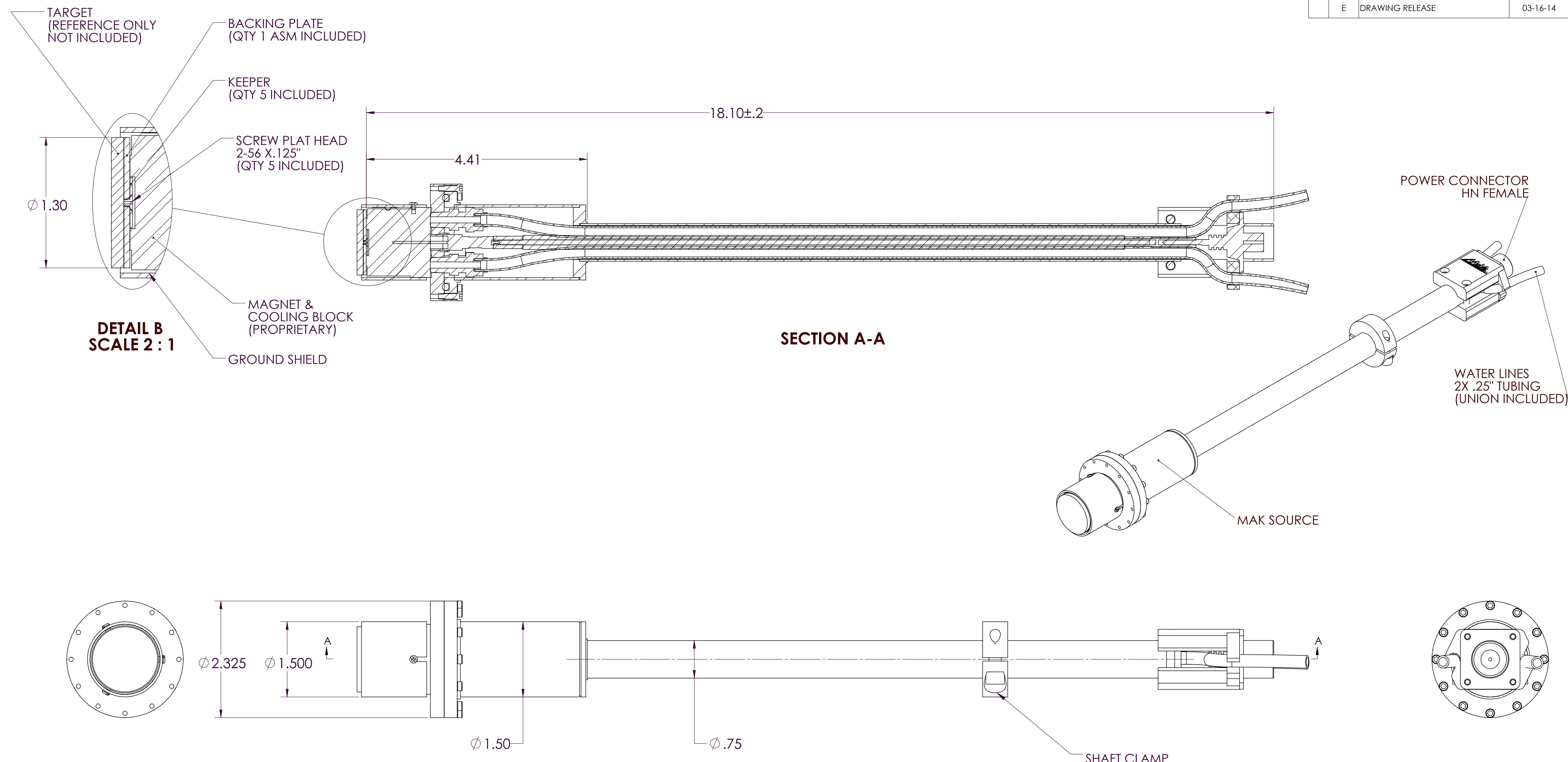



DWG. NO. L130A01_EXT		SHT 1/1	REV F	1	
REVISIONS					
ZONE	REV.	DESCRIPTION	DATE	APPROVED	
	E	DRAWING RELEASE	03-16-14		



NOTES (UNLESS OTHERWISE SPECIFIED):

- 3D MODEL AVAILABLE.

UNLESS OTHERWISE SPECIFIED DIMENSIONS ARE IN INCHES TOLERANCES ARE: DECIMALS .X ± .1 .XX ± .01 .XXX ± .005 ANGLES ± 1/2°		THIS DOCUMENT IS THE PROPERTY OF MEIVAC, INC. ITS USE IS AUTHORIZED ONLY FOR RESPONDING TO A REQUEST FOR QUOTATION OR FOR THE PERFORMANCE OF WORK FOR MEIVAC, INC. ALL QUESTIONS MUST BE REFERRED TO MEIVAC ENGINEERING DEPARTMENT.			
MATERIAL: SEE PART LIST		APPROVALS	DATE	TITLE: 1.3" MAK SOURCE VERTICAL MOUNT	
FINISH:		DRAWN DICK.M	06-03-06	SIZE D	REV F
DO NOT SCALE DRAWING		CHECKED		CAGE CODE	DWG. NO. L130A01_EXT
		ISSUED		SCALE: NONE	SHEET 1 OF 1